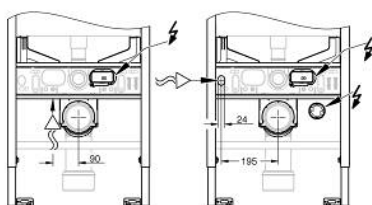
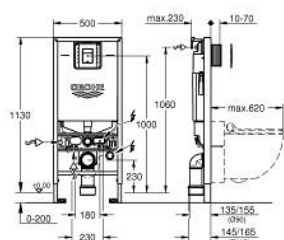


39 603 000 **RAPID SLX 3-IN-1 SET FOR WC, 1.13 M INSTALLATION HEIGHT**

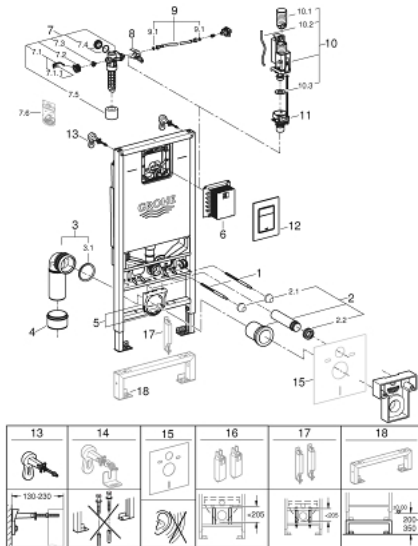


PRODUCT DESCRIPTION

- Colour: chrome
-
- sastoji se od:
- Rapid SLX element for WC (39 596 000) with integrated power socket
- Skate Cosmopolitan S flush plate, chrome (37 535 000)
- zidni držač (38 558 00M)
- including flow manager



39 603 000 RAPID SLX 3-IN-1 SET FOR WC, 1.13 M INSTALLATION HEIGHT



SPARE PARTS, januar 2020 – now

- 1: Zavrtanj sa navojem (Spare part-nr. 4276400M)
 - 2: Set za spajanje za dovod i odvod za WC (Spare part-nr. 37311K00)
 - 2.1: Pričvršćivač za umivaonik (Spare part-nr. 43511SH0)
 - 2.2: Spoj (Spare part-nr. 37119000)
 - 3: PP-koleno odvoda DN 90 (Spare part-nr. 42327000)
 - 4: 4" adapter odvoda za Rapis SL (Spare part-nr. 42242000)
 - 5: Potpora za ispusni nagib (Spare part-nr. 42243000)
 - 6: Revision shaft for small flush plates (Spare part-nr. 40911000)
 - 7: Ulivni ventil (Spare part-nr. 42583000)
 - 7.1: Ručica (Spare part-nr. 43734000)
 - 7.1.1: Dihtung (Spare part-nr. 4377000M)
 - 7.2: Glava ventila (Spare part-nr. 43536000)
 - 7.3: Membrana (Spare part-nr. 4375800M)
 - 7.4: Kapica za navoj (Spare part-nr. 43735000)
 - 7.5: Plovak, 5 kom. (Spare part-nr. 4379100M)
 - 7.6: Set dihtunga (Spare part-nr. 43722000)*
 - 8: Držač (Spare part-nr. 42246000)
 - 9: Cev (Spare part-nr. 42233000)
 - 9.1: O-prsten (Spare part-nr. 0319100M)
 - 10: Dual Flush discharge valve AV1 (Spare part-nr. 42320000)
 - 10.1: Produžetak za cev koja sprečava prelivanje (Spare part-nr. 42313000)
 - 10.2: Pneumatsko crevo (Spare part-nr. 42319000)
 - 10.3: Dihtung (Spare part-nr. 42310000)
 - 11: Ležište ventila (Spare part-nr. 42593000)
 - 12: Zidni držač (Spare part-nr. 3855800M)
 - 13: Aktivaciona ploča (Spare part-nr. 37535000)
 - 14: Set za zaštitu od buke (Spare part-nr. 37131000)*
 - 15: Xtra wall brackets, flexible placing (Spare part-nr. 38733000)*
 - 16: Dodaci (Spare part-nr. 39607000)*
 - 17: Extension for Rapid SL and Rapid SLX (Spare part-nr. 38629001)*
- * Optional accessories