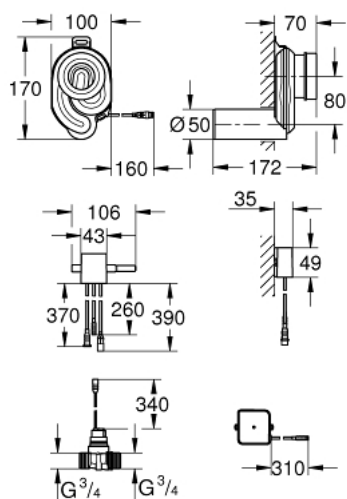


39 368 000 TEMPERATURE SENSOR FOR URINAL



PRODUCT DESCRIPTION

- s transformatorom 100-240 V AC, 50-60 Hz, 6,75 V DC
- siphon with temperature sensor
- mešač sa el.mag. ventilom i filterom za nečistoće
- pritisak protoka min 0.5 bara
- pritisak pri radu max 10 bara
- 7 pre-set programs:
 - auto flush
 - cleaning mode
 - pre-flush on/off
- CE odobrenje



39 368 000 TEMPERATURE SENSOR FOR URINAL

SPARE PARTS, април 2015 – now

- 1: Elektromagnetni ventil (Spare part-nr. 42740000)
- 2: Waste trap (Spare part-nr. 42477000)
- 3: Elektronika (Spare part-nr. 42478000)
- 4: prekidanje napajanja (Spare part-nr. 42470000)

