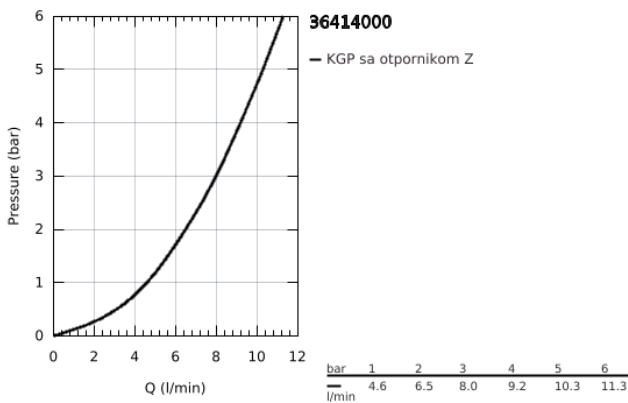
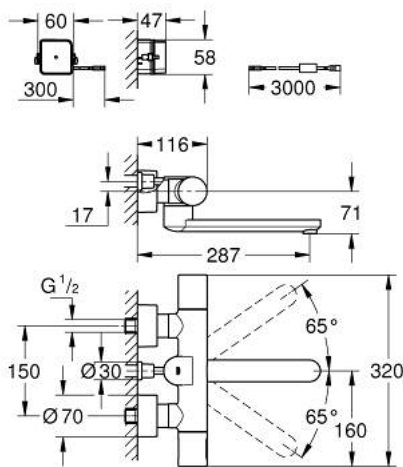


## 36 414 000 EUROSMART COSMOPOLITAN E BLUETOOTH INFRA-RED ELECTRONIC THERMOSTATIC BASIN MIXER, WALL MOUNTED



### PRODUCT DESCRIPTION (1/2)

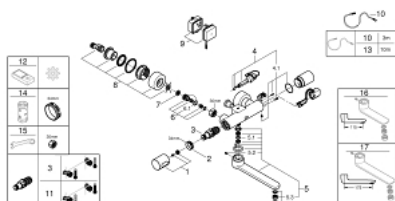
- Colour: chrome
- with infrared sensor and Bluetooth module for bi-directional communication for monitoring, configuration and service purpose
- s transformatorom 100-240 V AC, 50-60 Hz, 6,75 V DC
- GROHE LongLife premaz
- GROHE CoolTouch
- GROHE SafeStop na 38°C
- rotaciona izlivna cev 219 mm
- with swivel stop at 130° or fixed
- projekcija 287 mm
- laminar mousseur 9 l/min
- S-spojevi
- escutcheon covers for S unions
- nepovratni ventil
- filter za nečistoću
- power connection cable 3.0 m
- for use with connection set
- 39 383 000
- with Bluetooth 4.0\* for wireless data communication
- for Apple\*\* and Android devices
- Bluetooth raspon (10 m) zavisi od materijala i debljini zidova između odašiljača i prijemnika
- monitoring
- password protected products
- app detects all Bluetooth products in range
- auto flush cycles and timing last auto flush
- usage per day / 30 days
- thermal disinfection cycles and timings last disinfection
- configuration
- detection range and shut off delay
- auto flush
- thermal disinfection
- cleaning mode

## 36 414 000 EUROSART COSMOPOLITAN E BLUETOOTH INFRA-RED ELECTRONIC THERMOSTATIC BASIN MIXER, WALL MOUNTED

### PRODUCT DESCRIPTION (2/2)

- 2 on/off timers
- identification by name
- service
- send and save 3 profiles
- reset functions
- hard and software version
- CE odobrenje
- akustična grupa I koja se slaže sa DIN 4109
- tip zaštite baterije IP 59K
- Mobilni uređaji i GROHE IR Remote App\*\*\* nisu uključeni u dostavu i moraju se zasebno naručiti putem autorizovane Apple store/iTunes ili Google Play.
- \* Bluetooth znak i logotipi su registrovani zaštitni znakovi u vlasništvu kompanije Bluetooth SIG, Inc. i svaka upotreba tih marki od strane Grohe AG je pod licencom. Ostali trgovački znakovi i trgovački nazivi pripadaju drugim vlasnicima.
- \*\* Apple, Apple logotip, iPod, iPod Touch, iPhone i iTunes su zaštitni znaci fabrike Apple Inc., registrovani u SAD-u i drugim zemljama. Apple nije odgovoran za funkcionisanje ovog uređaja niti za njegovu skladnost sa sigurnosnim i regulatornim standardima.
- \*\*\* Dostupno besplatno na iTunes ili Google Play.

## 36 414 000 EUROSMART COSMOPOLITAN E BLUETOOTH INFRA-RED ELECTRONIC THERMOSTATIC BASIN MIXER, WALL MOUNTED



### SPARE PARTS, новембар 2019 – now

- 1: Ručica sa temperaturnom skalom (Spare part-nr. 47811000)
- 2: Prsten armature (Spare part-nr. 47743000)
- 3: Termostatski kompaktni mešač 1/2" (Spare part-nr. 47439000)
- 4: Elektromagnetni ventil (Spare part-nr. 42471000)
- 4.1: Set navoja (Spare part-nr. 42422000)
- 5: Izlivna cev (Spare part-nr. 42423000)
- 5.1: O-prsten (Spare part-nr. 0128500M)
- 5.2: Set navoja (Spare part-nr. 46670000)
- 5.3: Regulator mlaza vode (Spare part-nr. 13960000)
- 6: Nepovratni ventil (Spare part-nr. 48277000)
- 6.1: O-prsten  $\varnothing 17 \times \varnothing 2$  (Spare part-nr. 0305500M)
- 7: Filter za nečistoće (Spare part-nr. 0726400M)
- 8: S-spojnica (Spare part-nr. 12693000)
- 9: prekidanje napajanja (Spare part-nr. 42470000)
- 10: Produžni kabl (Spare part-nr. 36221000)
- 11: GROHE TurboStat cartridge 1/2" (Spare part-nr. 47175000)\*
- 12: Daljinski upravljač (Spare part-nr. 36407001)\*
- 13: Produžni kabl (Spare part-nr. 36222000)\*
- 14: Gedor ključ (Spare part-nr. 19332000)\*
- 15: Specijalni ključ (Spare part-nr. 19377000)\*
- 16: Livena zaokretna izlivna cev (Spare part-nr. 13378000)\*
- 17: Livena zaokretna izlivna cev (Spare part-nr. 13380000)\*

\* Optional accessories