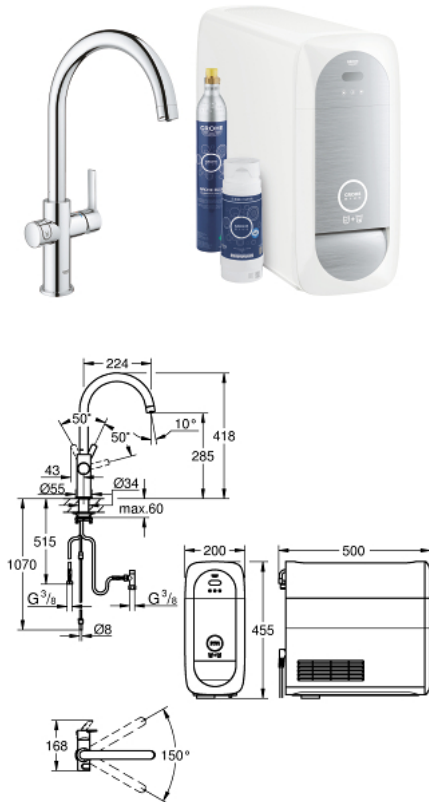


31 883 001 GROHE BLUE HOME C-SPOUT STARTER KIT



PRODUCT DESCRIPTION (1/2)

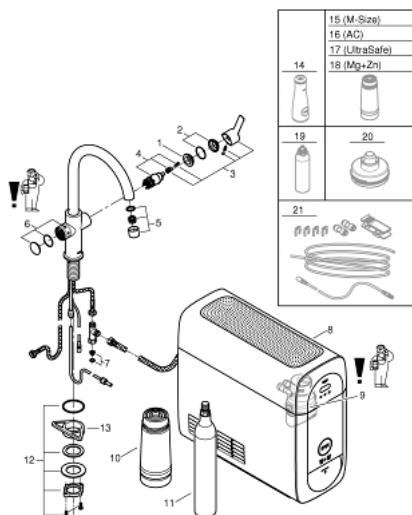
- Colour: chrome
- sastoji se od:
 - GROHE Blue Home single-lever sink mixer with filter function
 - instalacija na 1 otvor
 - Izliv u obliku slova C
 - push buttons for 3 types of filtered and chilled table water
 - negazirana, srednje gazirana, jako gazirana voda
 - GROHE LongLife premaz
 - GROHE SilkMove keramički mešač 28 mm
 - cevasta izlivna cev, područje rotacije 150°
 - odvojene unutrašnje cevi za filtriranu i vodovodnu vodu
 - fleksibilna spojna creva
 - GROHE Blue Home cooler
 - delivers 3 liters of chilled sparkling water per hour
 - jedinica za hlađenje 180 W, 230 V, 50 Hz
 - tip zaštite IP 21
 - CE odobrenje
 - requires ventilation holes in the bottom of the kitchen cabinet
 - software set-up and monitoring of filter and CO₂ capacity possible via GROHE Watersystems app
 - with Bluetooth* and Wi-Fi interface for wireless data communication
 - for Apple** and Android devices
 - Bluetooth raspon (10 m) zavisi od materijala i debljini zidova između odašiljača i prijemnika
 - adjustable for GROHE Blue filter S-Size, GROHE Blue activated carbon filter and GROHE Blue magnesium + zinc filter
 - GROHE Blue filter S-Size and filter head with flexible water hardness adjustment for regions with water hardness of more than 9° dKH
 - for regions with water hardness below 9° dKH please order activated carbon filter 40 547 001
 - GROHE Blue 425 g CO₂ bottle

31 883 001 GROHE BLUE HOME C-SPOUT STARTER KIT

PRODUCT DESCRIPTION (2/2)

- System requirements Apple iPhone with iOS 12.0 or higher System requirements Android smart phone with Android 6.0 or higher Mobile devices and GROHE Watersystems App*** are not included in delivery and have to be ordered separately via an authorised Apple store/store/iTunes or Google Play store.* The Bluetooth word mark and logos are registered trademarks owned by Bluetooth SIG, Inc. and any use of such marks by Grohe AG is under license. Other trademarks and trade names are those of their respective owners.** Apple, the Apple logo, iPod, iPod Touch, iPhone and iTunes are trademarks of Apple Inc., registered in the U.S. and other countries. Apple is not responsible for the function of this device or its compliance with safety and regulatory standards.*** Available for free via iTunes app or Google Play store.
- Connected product pursuant to regulation (EU) 2023/2854. Pre contractual information at <https://eu-data-act.grohe.com/>

31 883 001 GROHE BLUE HOME C-SPOUT STARTER KIT



SPARE PARTS, janyap 2021 – now

- 1: Prsten armature (Spare part-nr. 07419000)
- 2: Poklopac (Spare part-nr. 46581000)
- 3: Ručica (Spare part-nr. 46984000)
- 4: Mešač (Spare part-nr. 46580000)
- 5: Mousseur GROHE Blue U and C spout (Spare part-nr. 48343000)
- 6: Operating unit (Spare part-nr. 46958000)
- 7: Filter za nečistoću (Spare part-nr. 47576000)
- 8: Cooler (Spare part-nr. 40711000)
- 9: Glava filtera (Spare part-nr. 48344000)
- 10: Filter S-Size (Spare part-nr. 40404001)
- 11: Starter kit 425 g CO₂ bottles (4 pieces) (Spare part-nr. 40422000)
- 12: Sklop za učvršćivanje držača (Spare part-nr. 48384000)
- 13: Potporna ploča (Spare part-nr. 05334000)
- 14: Glass carafe with lid set (Spare part-nr. 40405001)*
- 15: Filter M-Size (Spare part-nr. 40430001)*
- 16: Aktivni karbonski filter (Spare part-nr. 40547001)*
- 17: UltraSafe filter (Spare part-nr. 40575002)*
- 18: Magnesium + Zinc filter (Spare part-nr. 40691002)*
- 19: Mešač za prečišćavanje (Spare part-nr. 40434001)*
- 20: Cleaning cartridge adapter (Spare part-nr. 40694000)*
- 21: Produžni set (Spare part-nr. 40843000)*

* Optional accessories