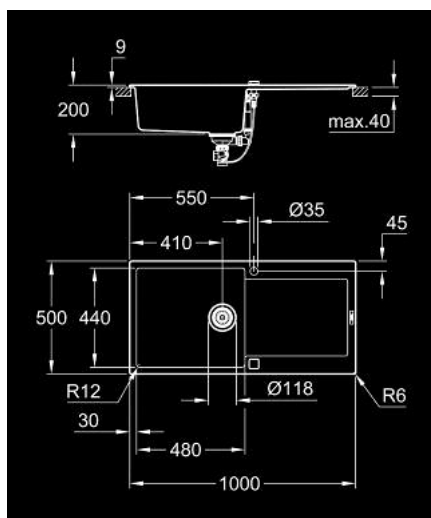


31 645 AP0 K500 COMPOSITE SINK WITH DRAINER



PRODUCT DESCRIPTION

- Colour: granite black
- model: K500 60-C 100/50 1.0 rev
- mounting type: top mount
- material: quartz composite
- GROHE Whisper
- min. cabinet size: 600 mm
- dimensions: 1000 x 500 mm
- 1 bowl: 480 x 440 x 200 mm
- outer radius: R6, inner bowl radius: R12
- GROHE FastFixation instalacijski sistem
- sink mountable left or right
- cut-out: 980 x 480 mm
- drainer: automatic waste fitting
- accessories included: automatic waste fitting with rotary handle, waste kit, basket strainer waste, mounting set
- optional push to open excenter (40 986 SD0)
- amount of fasteners included (top mount): 12
- heat resistant up to 180° C

31 645 AP0 K500 COMPOSITE SINK WITH DRAINER

SPARE PARTS, maj 2022 – now

1: Utikač (Spare part-nr. 42588SD1)

2: Siphon (Spare part-nr. 42617000)

3: Cover element (Spare part-nr. 42590SD1)

4: Rotaciona spojnica (Spare part-nr. 42586SD0)

