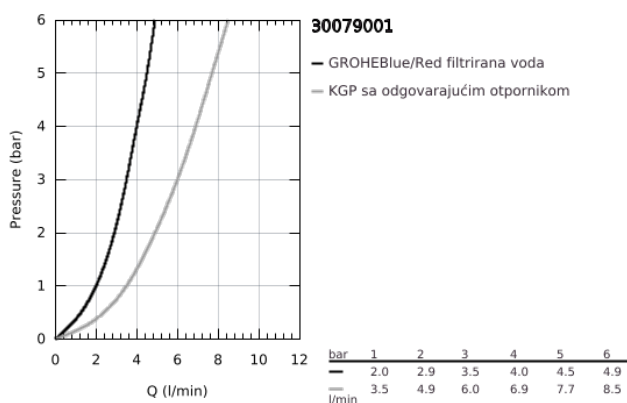
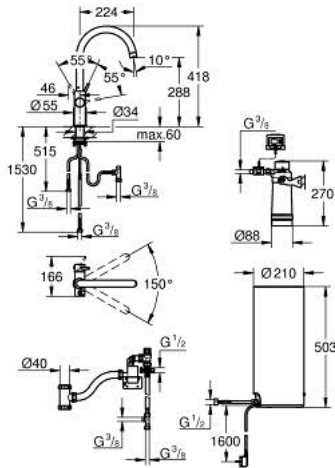


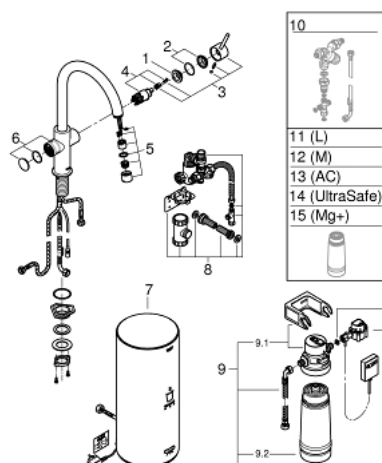
## 30 079 001 GROHE RED DUO FAUCET AND L SIZE BOILER



### PRODUCT DESCRIPTION

- Colour: chrome
- sastoji se od:
  - GROHE Red Duo jednoručna baterija za sudoperu
  - instalacija na 1 otvor
  - Izliv u obliku slova C
  - GROHE ChildLock push buttons for boiling water
  - TÜV certified triple electronic safeguards against accidental activation of boiling water
  - GROHE LongLife premaz
  - GROHE SilkMove keramički mešač 28 mm
- insulated tubular spout, swivel area 150°
- odvojeni smerovi vode
- fleksibilna spojna creva
- priključak za GROHE Red bojler
- GROHE Red boiler L size
- rezervoar za kipuću i toplu vodu
- 5.5 liter 100° C boiling water
- 7 liter total capacity
- required inlet pressure: 1-7 bar
- with flexible connection hose and outlet for boiling water
- CE odobrenje
- power supply 230 V 50 Hz
- potrošnja el. energije 2100 W
- potrošnja el. energije u stand-by režimu 15 W
- energy efficiency class A
- GROHE Blue S-Size filter starter set
- for protection of the boiler from limescale
- capacity 600 l at 20° dKH
- flow rate measuring unit

## 30 079 001 GROHE RED DUO FAUCET AND L SIZE BOILER



### SPARE PARTS, аврст 2013 – now

- 1: Prsten armature (Spare part-nr. 07419000)
  - 2: Poklopac (Spare part-nr. 46581000)
  - 3: Ručica (Spare part-nr. 46957000)
  - 4: Mešač (Spare part-nr. 46580000)
  - 5: Flow control (Spare part-nr. 48370000)
  - 6: Operating unit (Spare part-nr. 46997000)
  - 7: Boiler Size L (Spare part-nr. 40831001)
  - 8: Safety group (Spare part-nr. 48371000)
  - 9: Filter sa glavom filtera (Spare part-nr. 40438001)
  - 9.1: Glava filtera (Spare part-nr. 64508001)
  - 9.2: Filter S-Size (Spare part-nr. 40404001)
  - 10: Mixing valve (Spare part-nr. 40841001)\*
  - 11: Filter L-Size (Spare part-nr. 40412001)\*
  - 12: Filter M-Size (Spare part-nr. 40430001)\*
  - 13: Aktivni karbonski filter (Spare part-nr. 40547001)\*
  - 14: Filter (Spare part-nr. 40575001)\*
  - 15: Magnesium+ filter (Spare part-nr. 40691001)\*
- \* Optional accessories