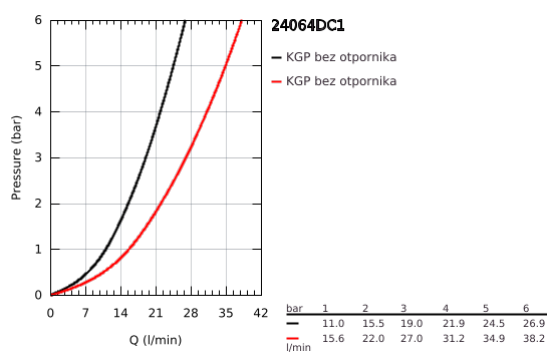
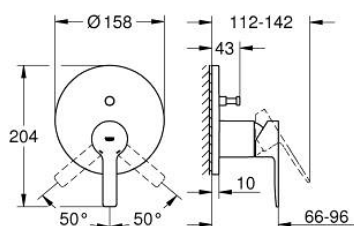


## 24 064 DC1 LINEARE SINGLE-LEVER MIXER WITH 2-WAY DIVERTER

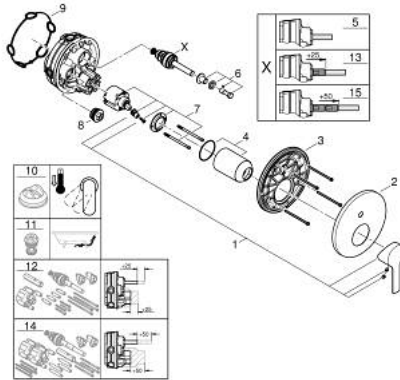


### PRODUCT DESCRIPTION

- Colour: supersteel
- set za završnu instalaciju za GROHE Rapido SmartBox (35 600/35 604)
- GROHE SilkMove 46 mm keramički mešač
- GROHE LongLife premaz
- zidna rozetna s GROHE FastFixation (skriveno zatvaranje, skriveno pričvršćenje)
- metal escutcheon, retroactively 6° adjustable
- metalna ručica
- automatic 2-way diverter
- without roughing-in set 35 600/35 604 (please order separately)
- flow performance: outlet B = 27 l/min, outlet C = 27 l/min



## 24 064 DC1 LINEARE SINGLE-LEVER MIXER WITH 2-WAY DIVERTER



### SPARE PARTS, април 2024 – now

- 1: Ručica (Spare part-nr. 46988DC0)
  - 2: Rozeta (Spare part-nr. 48429DC0)
  - 3: Instalaciona ploča (Spare part-nr. 48440000)
  - 4: Poklopac (Spare part-nr. 09038DC0)
  - 5: Prebacivač (Spare part-nr. 48634000)
  - 6: Aktivaciono dugme prebacivača (Spare part-nr. 48637DC0)
  - 7: Mešač (Spare part-nr. 46048000)
  - 8: Nepovratni ventil (Spare part-nr. 49085000)
  - 9: Dichtung (Spare part-nr. 48360000)
  - 10: Limitor temperature (Spare part-nr. 46375000)\*
  - 11: Backflow protection combination (EN1717) (Spare part-nr. 14055000)\*
  - 12: Universal extension set single-lever mixers, 25 mm (Spare part-nr. 14056000)\*
  - 13: diverter (Spare part-nr. 48635000)\*
  - 14: Universal extension set single-lever mixers, 50 mm (Spare part-nr. 14057000)\*
  - 15: diverter (Spare part-nr. 48636000)\*
- \* Optional accessories