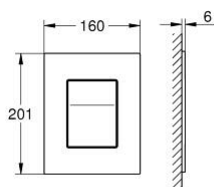


10 464 4AL 00 GROHE ARENA AQUA TILES FLUSH PLATE WITH SILK MOTION TECHNOLOGY

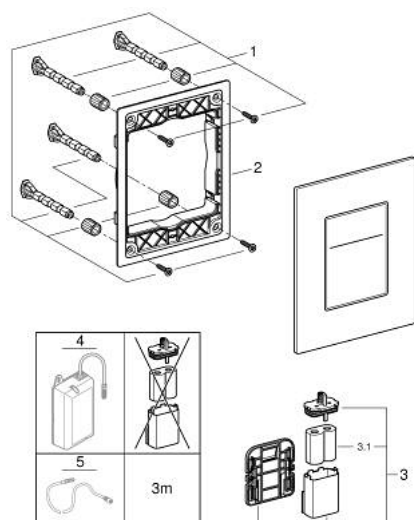


PRODUCT DESCRIPTION

- Colour: brushed hard graphite
- za aktivaciju dvokoličinskog ispiranja
- za pneumatski odlivni ventil AV1
- vertikalna instalacija
- 160 x 201 mm
- napravljeno od ABS-a
- GROHE LongLife premaz
- for combination with Rapid SL and Uniset with GD 2 cistern, slim cistern and 80 mm cistern
- 6V litijumska baterija, tip CR-P2
- battery lifetime: 4 years for a 3 person household (approx. 17000 actuations)
- battery status warning
- auto flush
- cleaning mode
- for mains supply please order transformer 100 686 9990



10 464 4AL 00 GROHE ARENA AQUA TILES FLUSH PLATE WITH SILK MOTION TECHNOLOGY



SPARE PARTS, октобар 2023 – now

- 1: mounting set (Spare part-nr. 107288999M)
 - 2: retaining frame (Spare part-nr. 1072879990)
 - 3: Kućište baterije (Spare part-nr. 42393000)
 - 3.1: Baterija (Spare part-nr. 42886000)
 - 4: Transformator (Spare part-nr. 1006869990)*
 - 5: Power extension cable (Spare part-nr. 36340000)*
- * Optional accessories